

SHEET INDEX

CONTENTS	SHEET	ISSUE NUMBER									
		01	02	03							
SHEET INDEX / NOTES for "W" WIRING SHEETS	A1	01	02	03							
GENERAL ARRANGEMENT	L01	01	02	03							
48V CHARGER WIRING DIAGRAM	W01	01	02	03							
INVERTER WIRING DIAGRAM	W02	01	02								
BATTERY WIRING DIAGRAM	W03	01	02								
COMMS MODULE	W04	01									
SITE MONITOR CONNECTION DIAGRAM	W05	01	02								


STATUS/REVISION HISTORY				
ISSUE	DETAILS	DRWN	CHKD	DATE
01	-	P	PDA	23JUN11
02	-	PDA	RS	15Aug11
03	As Built	PDA		9Sep11

WIRE COLOUR TABLE

WIRE	COLOUR
230VAC SINGLE PHASE LINE	BROWN
230VAC SINGLE PHASE NEUTRAL	BLUE
48VDC POSITIVE (+)	VIOLET
48VDC NEGATIVE (-)	ORANGE
EARTH	GREEN/YELLOW

DOC. TITLE:

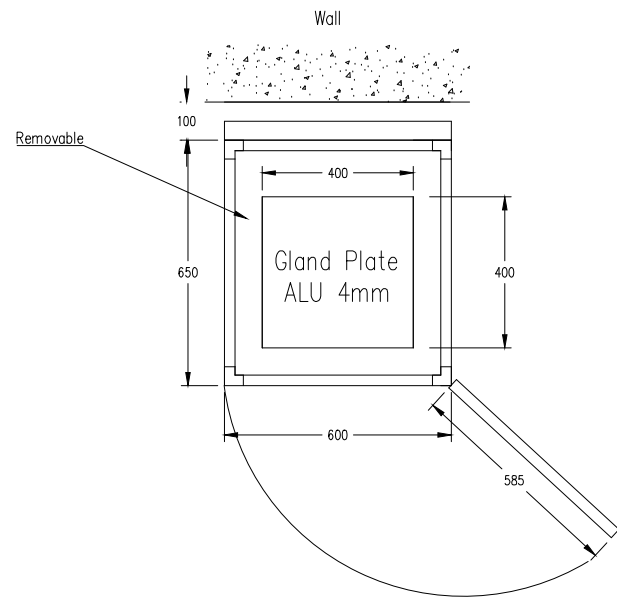
NOTE:
THIS SHEET REFLECTS THE LATEST ISSUE OF THE DRAWING/DOCUMENT SET.

	Name	Signature	Date	Status:
Designed by:				<small>PROPRIETARY INFORMATION. Not to be disclosed, copied, or used without prior written permission from Rectifier Technologies. Copyright 2010 Rectifier Technologies. All rights reserved. Subject to change without notice.</small>  Rectifier Technologies Pacific Pty. Ltd. 18 Joseph Street, Blackburn North, Vic, Australia, 3130 Phone: +61 3 9896 7588 Fax: +61 3 9896 7566
Design chk:				
CAD by:				
CAD chk:				

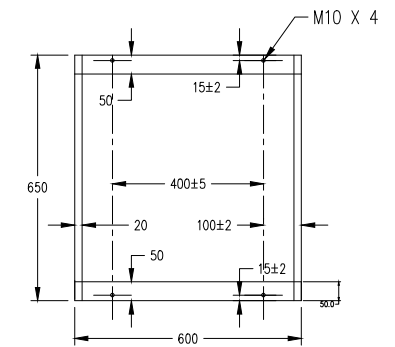
Client:
Client Ref:
Doc No:

Project Title:
Sheet Title: DP1
INDEX SHEET
DWG NO: 940-2041

SHEET	ISSUE
A1	03

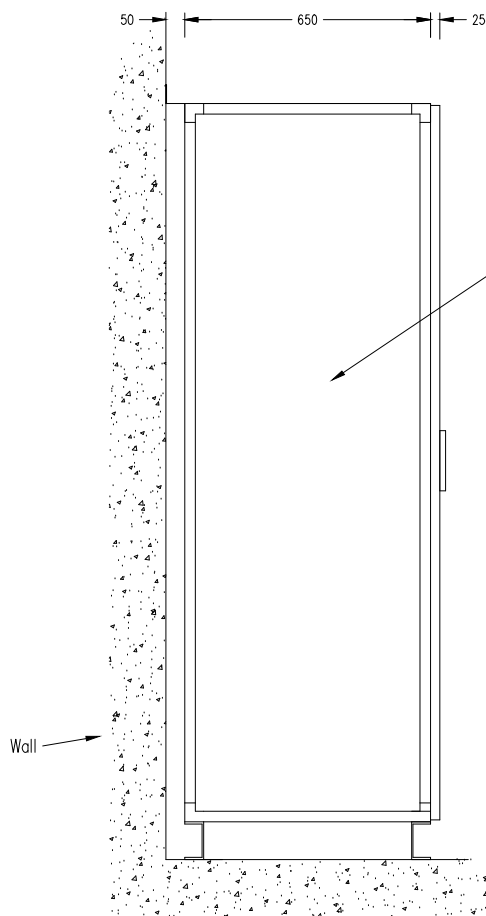


TOP VIEW
(showing swing-arc of door)

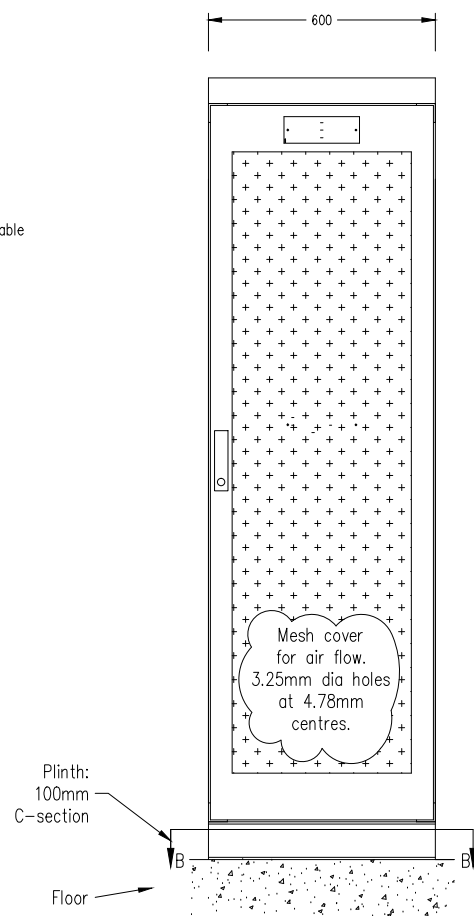


FRONT

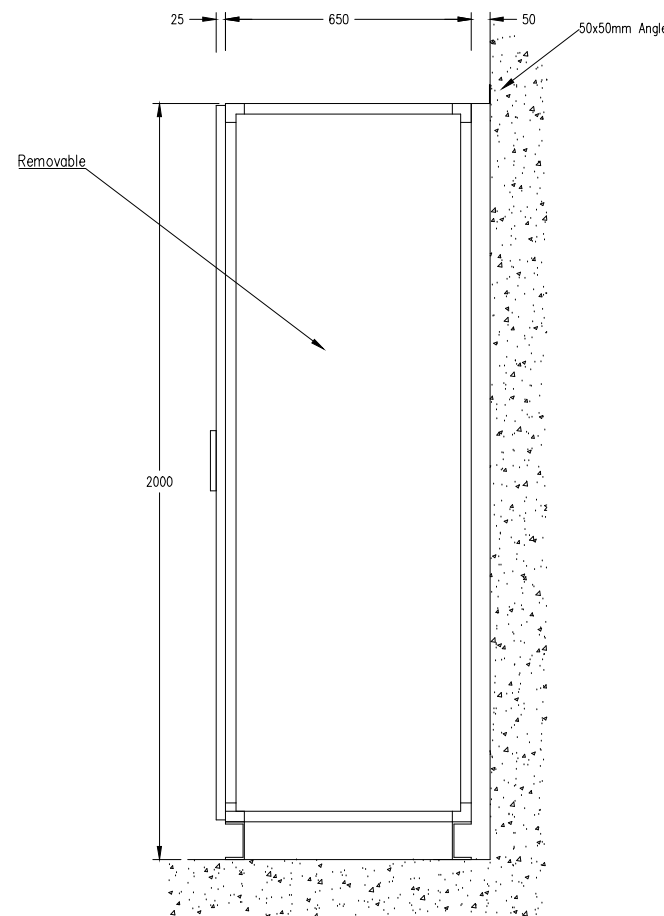
SECTION VIEW B-B
Plinth, as viewed from above.
NOTE TO INSTALLER: Locations of fixing holes on drawing are indicative only; confirm with actual cubicle.



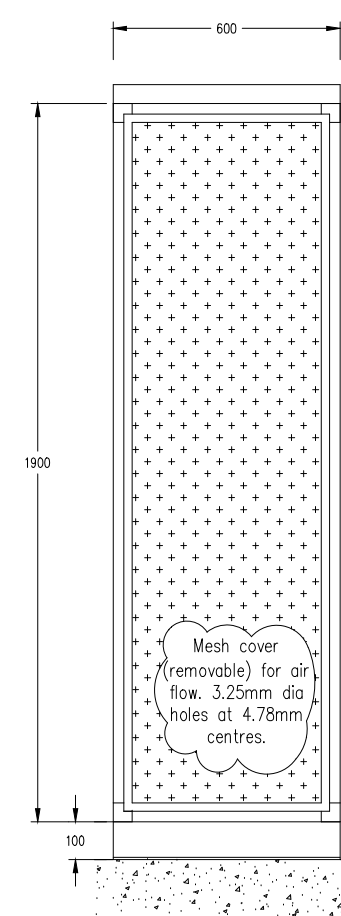
SIDE VIEW
(LEFT-HAND SIDE)



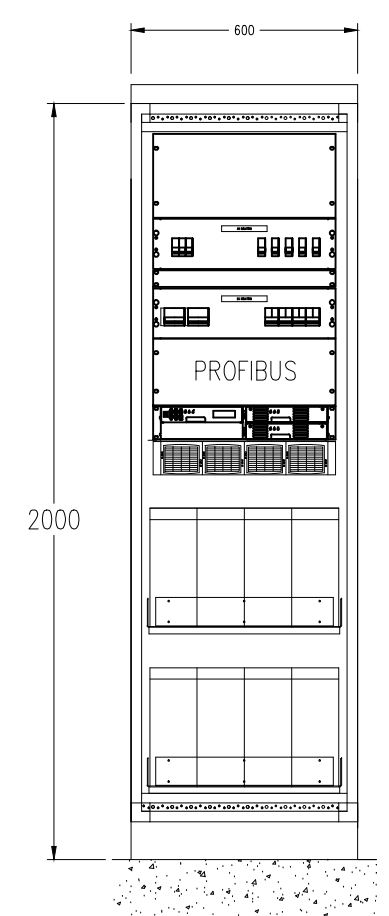
FRONT VIEW
DOOR CLOSED



SIDE VIEW
(RIGHT-HAND SIDE)



REAR VIEW



FRONT VIEW
DOOR REMOVED

- NOTES:
1. NONE SCALE
 2. All Cable entry in TOP of cabinet.
 3. Cabinet is FLOOR STANDING.
 4. Back of cubicle to be spaced from wall 50mm for air flow.
 5. Dimensions on drawing are indicative only. Confirm all dimensions with actual unit when preparing for installation.

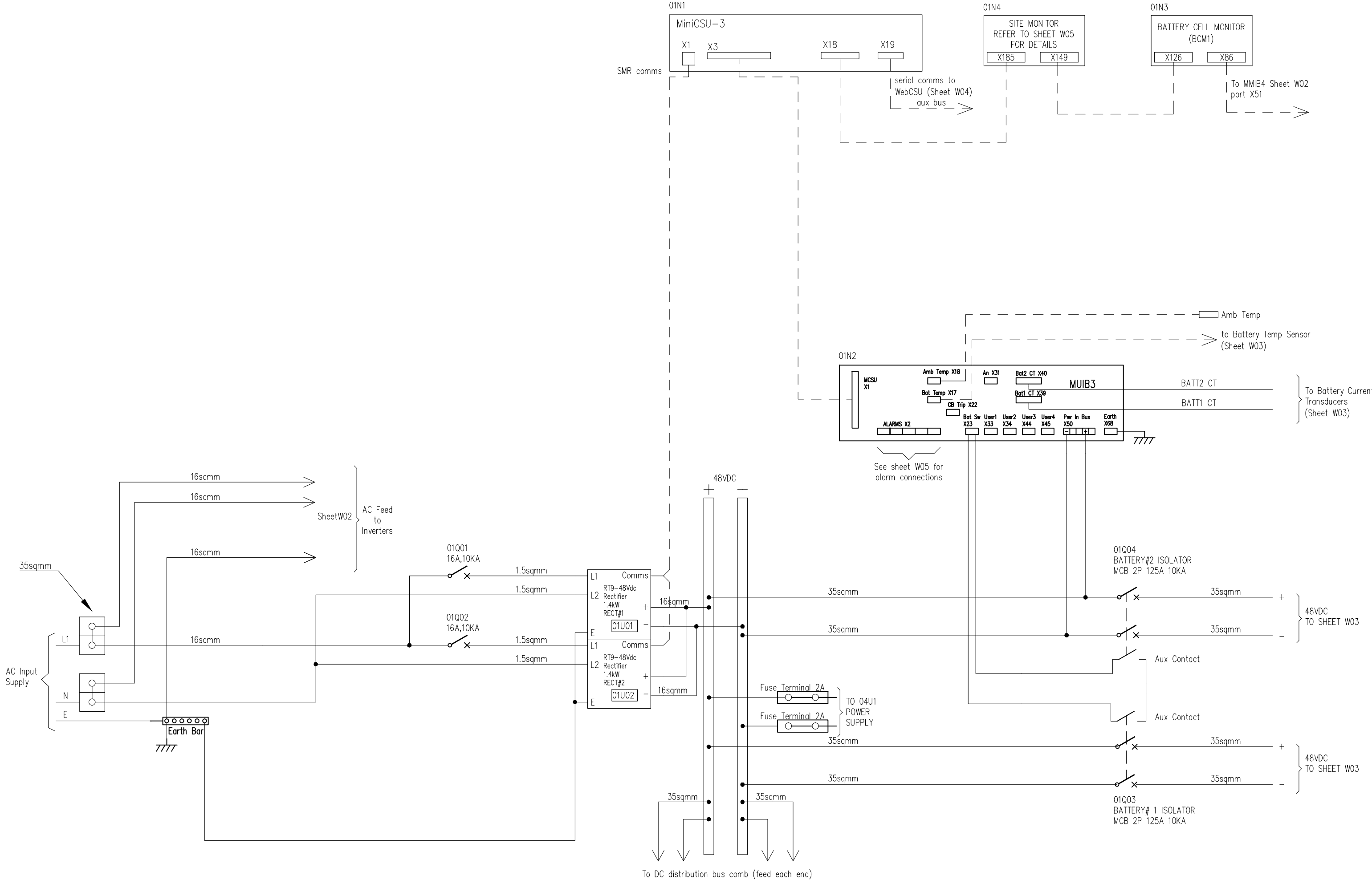
Name	Signature	Date	Status:
Designed by:			
Design chk:			
CAD by:			
CAD chk:			

PROPRIETARY INFORMATION. Not to be disclosed, copied, or used without prior written permission from Rectifier Technologies.
Copyright 2010 Rectifier Technologies. All rights reserved. Subject to change without notice.

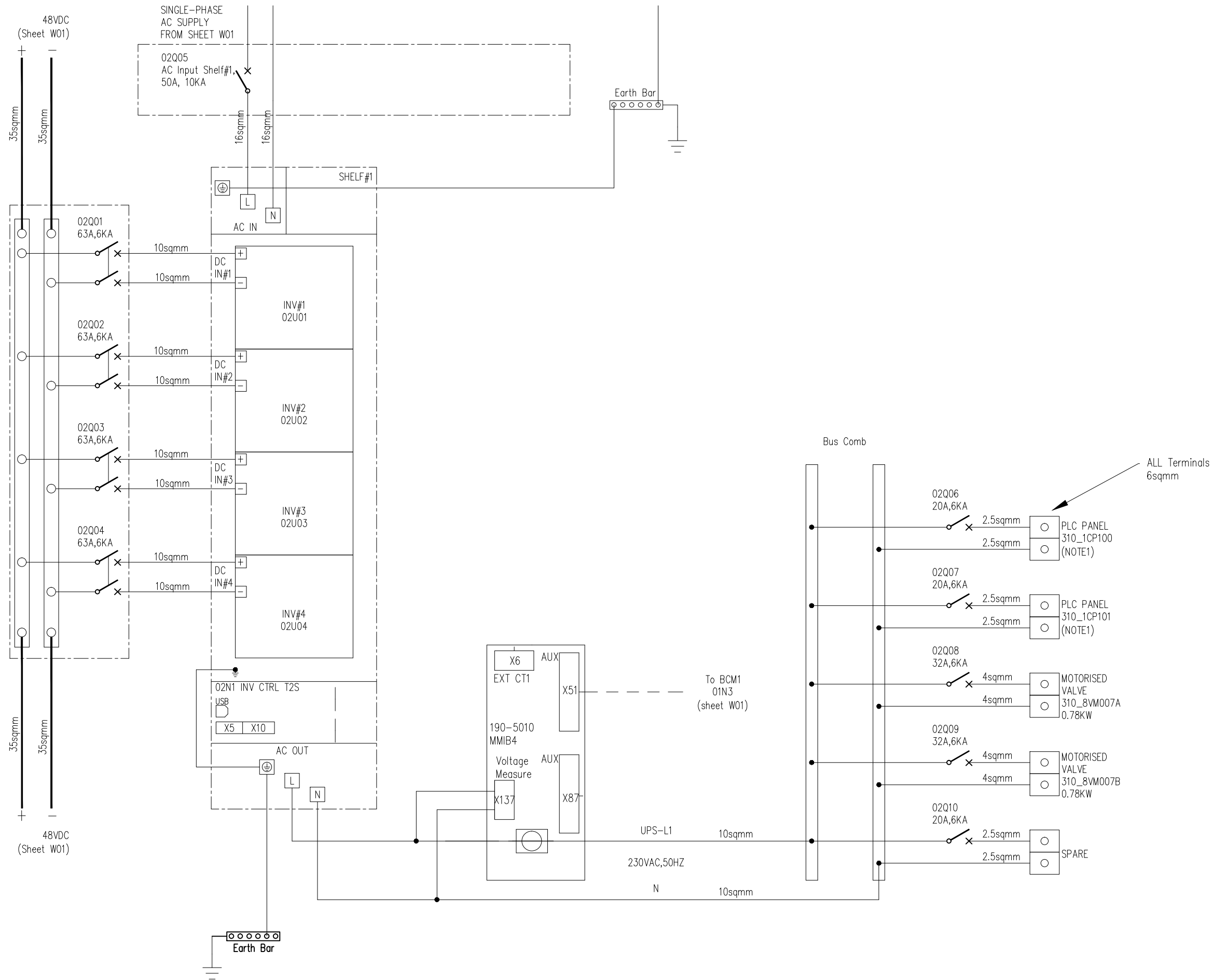
Rectifier Technologies Pacific Pty. Ltd.
18 Joseph Street, Blackburn North, Vic, Australia, 3130
Phone: +61 3 9896 7588 Fax: +61 3 9896 7566

Client:	Project Title:
Client Ref:	Sheet Title: DP1 GENERAL ARRANGEMENT
Doc No:	

DWG NO: 940-2041		SHEET	ISSUE
		L01	03



NOTE:	Designed by:	Name	Signature	Date	Status:	Client:	Project Title:	
	Design chk:				PROPRIETARY INFORMATION. Not to be disclosed, copied, or used without prior written permission from Rectifier Technologies. Copyright 2010 Rectifier Technologies. All rights reserved. Subject to change without notice.	Client Ref:	Sheet Title: DP1 48V CHARGER WIRING DIAGRAM	
	CAD by:				Rectifier Technologies Pacific Pty. Ltd. 18 Joseph Street, Blackburn North, Vic, Australia, 3130 Phone: +61 3 9896 7588 Fax: +61 3 9896 7566	Doc No:	DWG NO: 940-2041	
	CAD chk:						SHEET W01	ISSUE 03



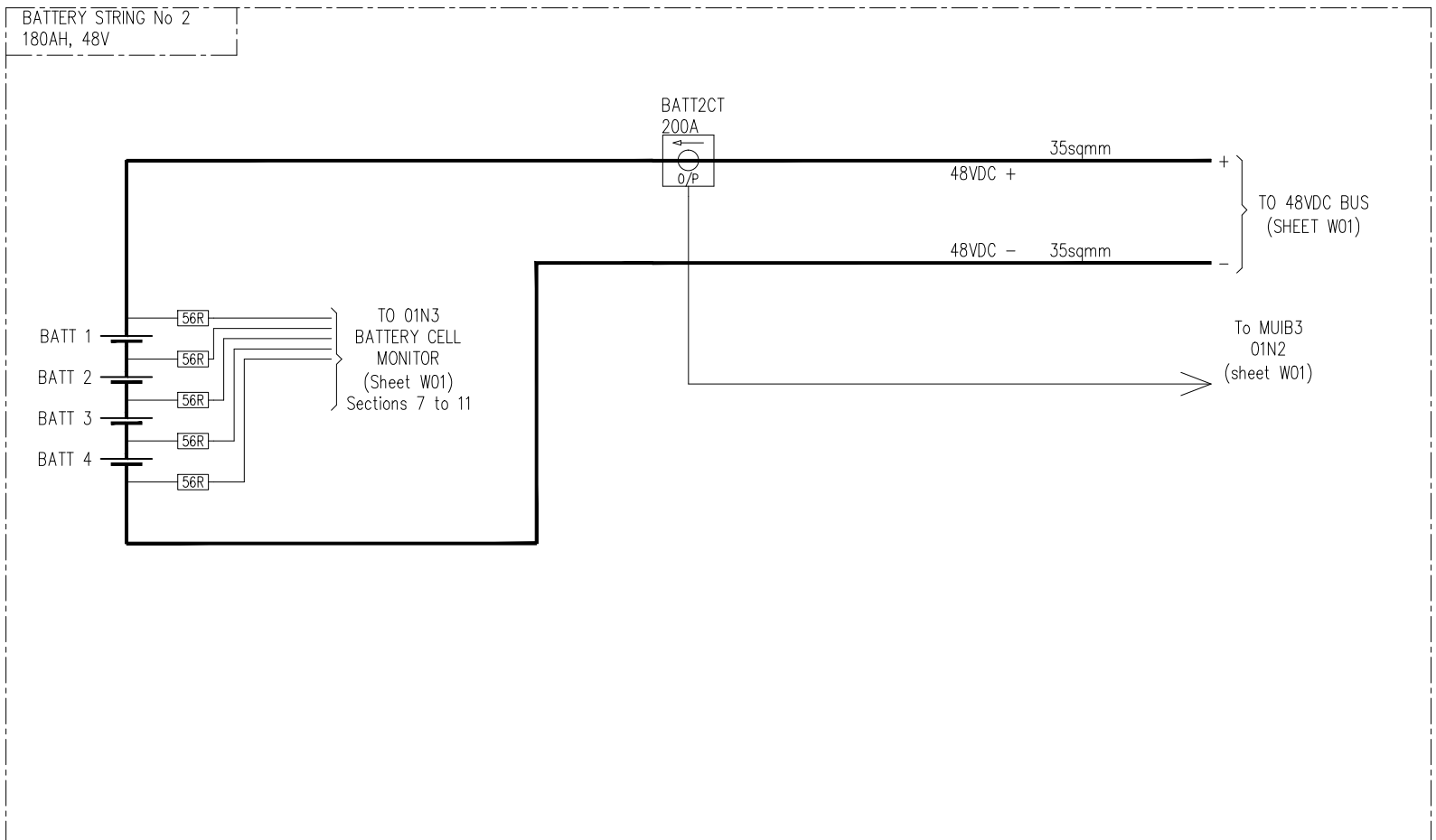
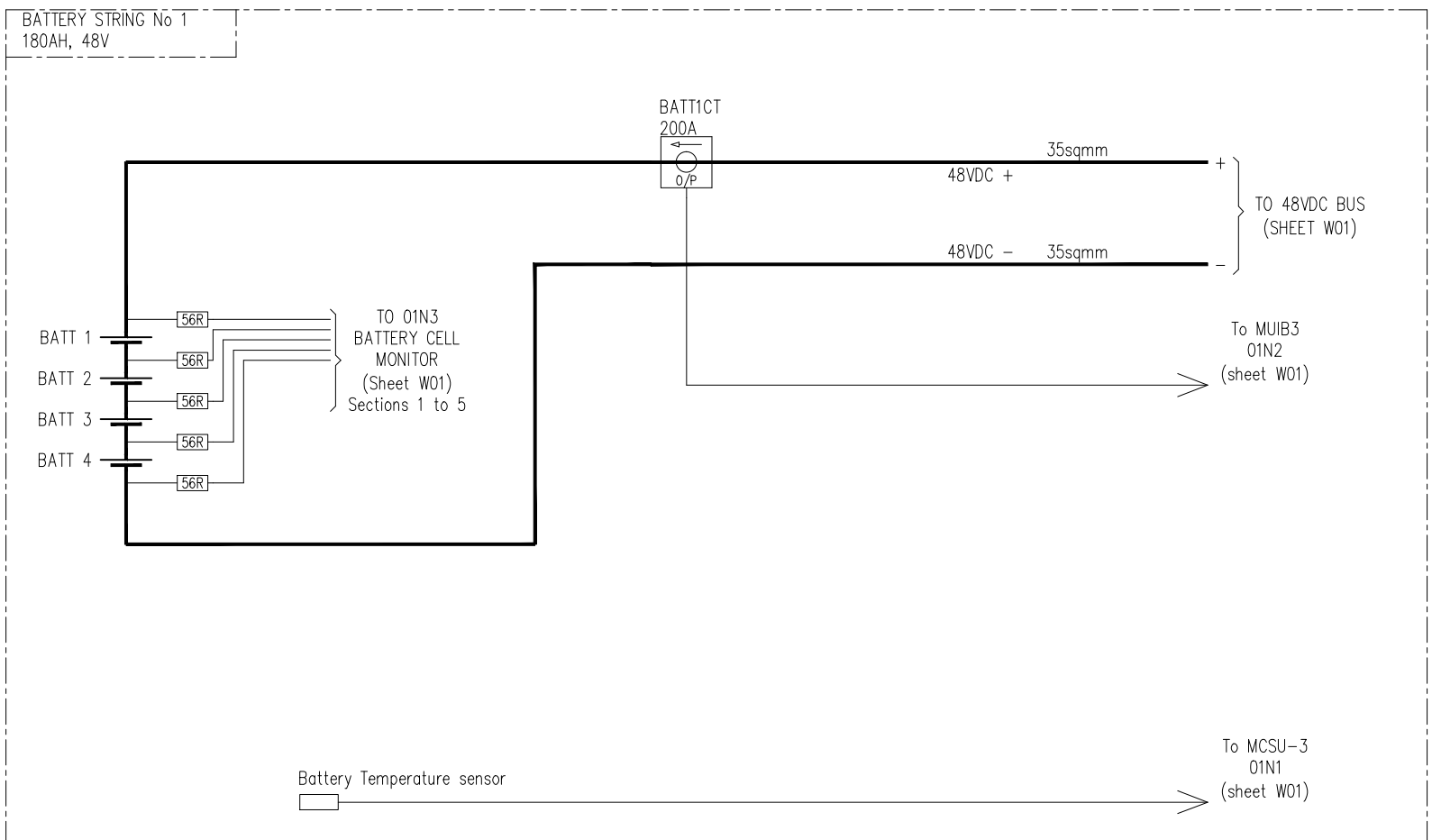
NOTE1:
TOTAL LOAD DEMAND FOR PLC PANEL 310_1CP100 AND 310_1CP101 IS 2.65KVA

Name	Signature	Date
Designed by:		
Design chk:		
CAD by:		
CAD chk:		


Status:
 PROPRIETARY INFORMATION. Not to be disclosed, copied, or used without prior written permission from Rectifier Technologies.
 Copyright 2010 Rectifier Technologies. All rights reserved. Subject to change without notice.
Rectifier Technologies Pacific Pty. Ltd.
 18 Joseph Street, Blackburn North, Vic, Australia, 3130
 Phone: +61 3 9896 7588 Fax: +61 3 9896 7566

Client:
 Client Ref:
 Doc No:

Project Title:
 Sheet Title: DP1
 INVERTER WIRING DIAGRAM
 DWG NO: 940-2041
 SHEET W02
 ISSUE 02

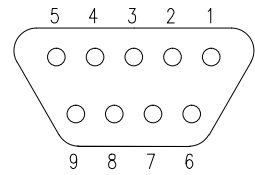
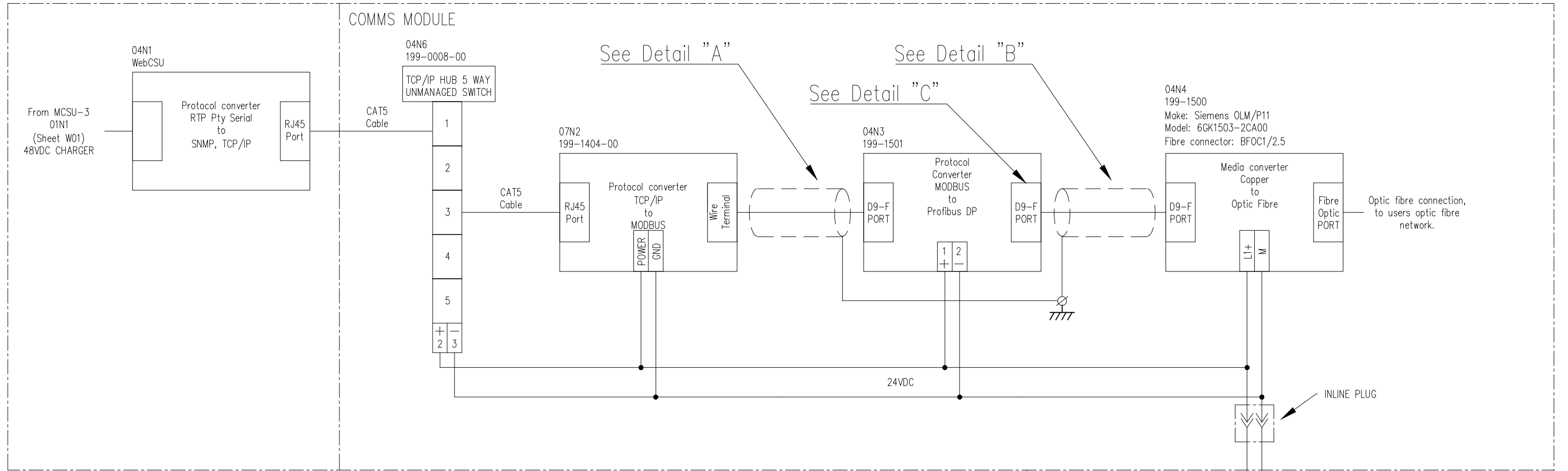


NOTE:

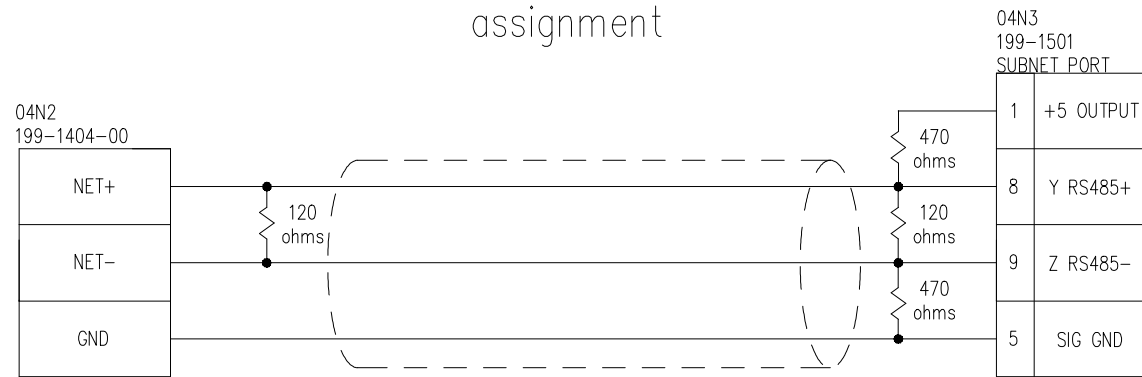
Name	Signature	Date	Status:
Designed by:			PROPRIETARY INFORMATION. Not to be disclosed, copied, or used without prior written permission from Rectifier Technologies. Copyright 2010 Rectifier Technologies. All rights reserved. Subject to change without notice.  Rectifier Technologies Pacific Pty. Ltd.
Design chk:			
CAD by:			
CAD chk:			

Client:	Project Title:
Client Ref:	Sheet Title: DP1 BATTERY WIRING DIAGRAM
Doc No:	DWG NO: 940-2041

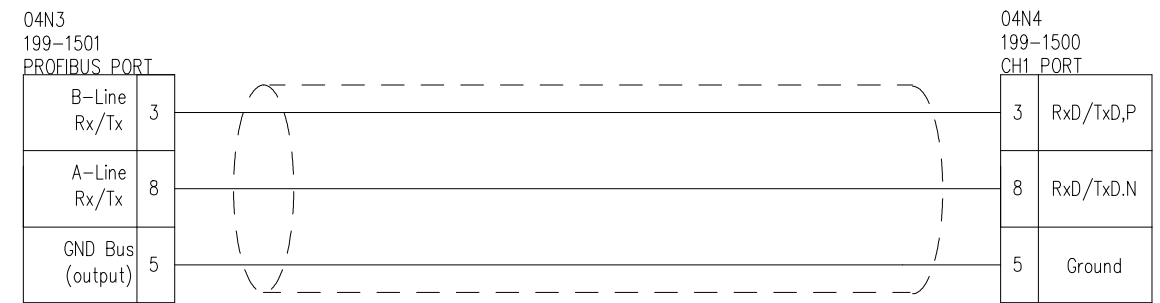
SHEET	ISSUE
W03	02




Detail "C"
D9-F Port pin
assignment

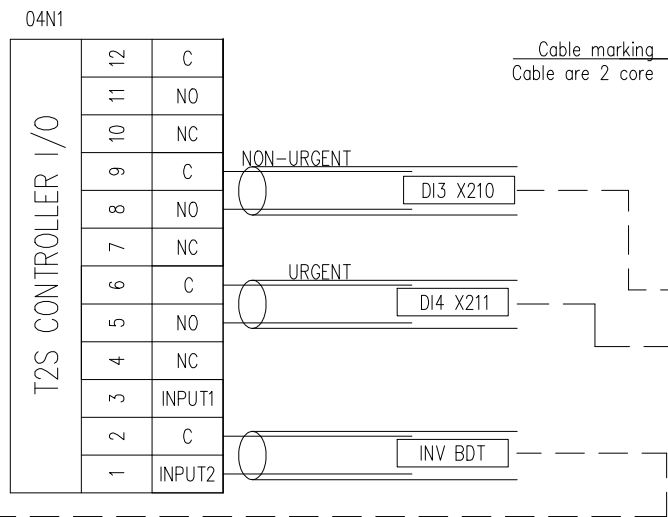
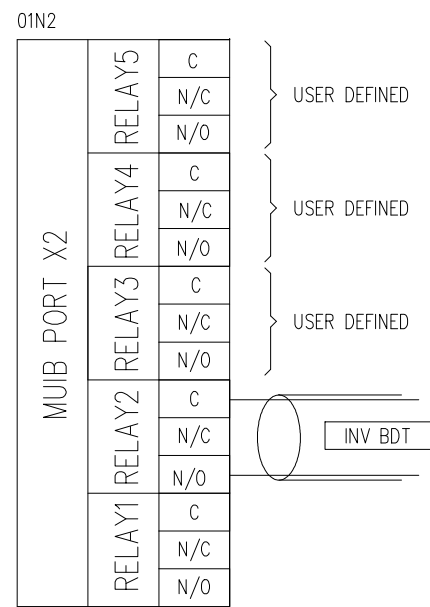


Detail "A"

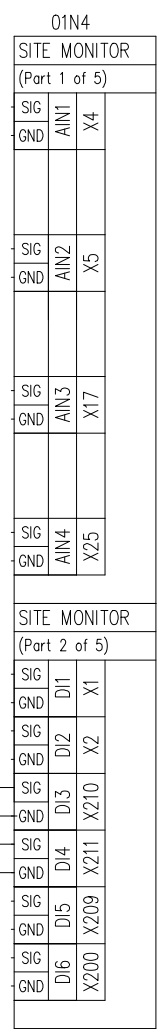
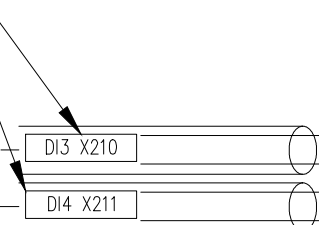


Detail "B"

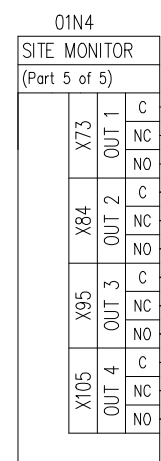
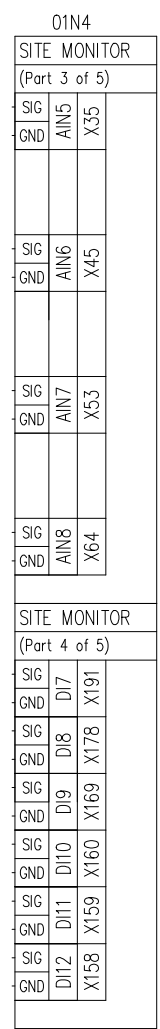
NOTE:	Designed by:	Name	Signature	Date	Status:	Client:	Project Title:
	Design chk:				PROPRIETARY INFORMATION. Not to be disclosed, copied, or used without prior written permission from Rectifier Technologies. Copyright 2010 Rectifier Technologies. All rights reserved. Subject to change without notice.	Client Ref:	Sheet Title: DP1 COMMS MODULE
	CAD by:				 Rectifier Technologies Pacific Pty. Ltd. 18 Joseph Street, Blackburn North, Vic, Australia, 3130 Phone: +61 3 9896 7588 Fax: +61 3 9896 7566	Doc No:	DWG NO: 940-2041
	CAD chk:						SHEET W04 ISSUE 01



Cable marking
Cable are 2 core



INVERTER NON-URGENT ALARM
INVERTER URGENT ALARM



NOTE:	Designed by:	Name	Signature	Date	Status:	Client:	Project Title:					
	Design chk:				PROPRIETARY INFORMATION. Not to be disclosed, copied, or used without prior written permission from Rectifier Technologies. Copyright 2010 Rectifier Technologies. All rights reserved. Subject to change without notice.			Client Ref: Doc No:	Sheet Title: DP1 SITE MONITOR CONNECTION DIAGRAM			
	CAD by:				Rectifier Technologies Pacific Pty. Ltd. 18 Joseph Street, Blackburn North, Vic, Australia, 3130 Phone: +61 3 9896 7588 Fax: +61 3 9896 7566					DWG NO: 940-2041		
	CAD chk:										SHEET	ISSUE
											W05	02