
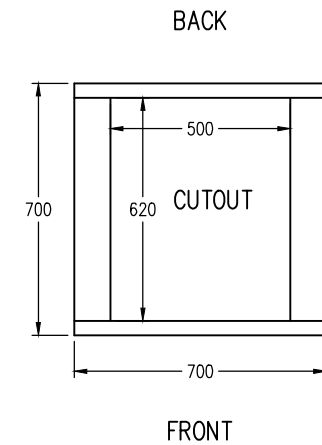
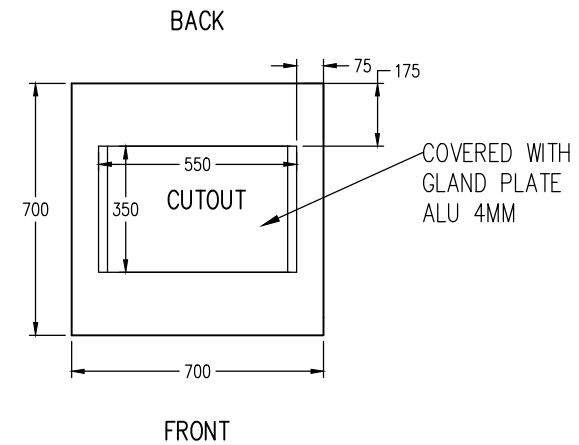
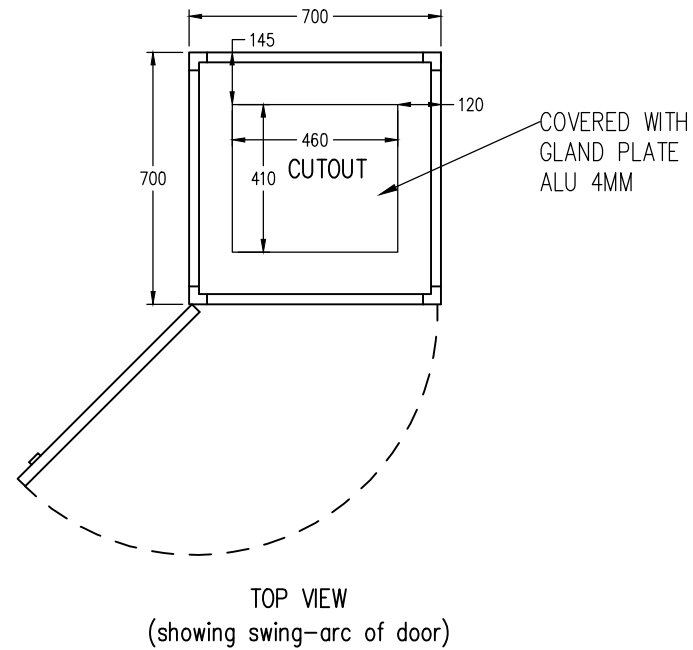


SHEET INDEX

CONTENTS	SHEET	ISSUE NUMBER									
SHEET INDEX / NOTES	A1	01									
UNASSIGNED											
GENERAL ARRANGEMENT (LYPICAL)	L01	01									
FRONT VIEW OF CABINET (DOOR OPENED) ENLARGED	L02	01									
WIRING DIAGRAM - DC CHARGES AND AC MAINS PART 1	W01	01									
WIRING DIAGRAM - DC CHARGES AND AC MAINS PART 2	W02	01									
WIRING DIAGRAM - INVERTERS	W03	01									
LOAD DISTRIBUTION - 48VDC	W04	01									
INVERTER AC OUTPUT DISTRIBUTION	W05	01									
WIRING DIAGRAM - BATTERY STRINGS	W06	01									
SITE MONITOR CONNECTION DIAGRAM	W07	01									
UNASSIGNED											

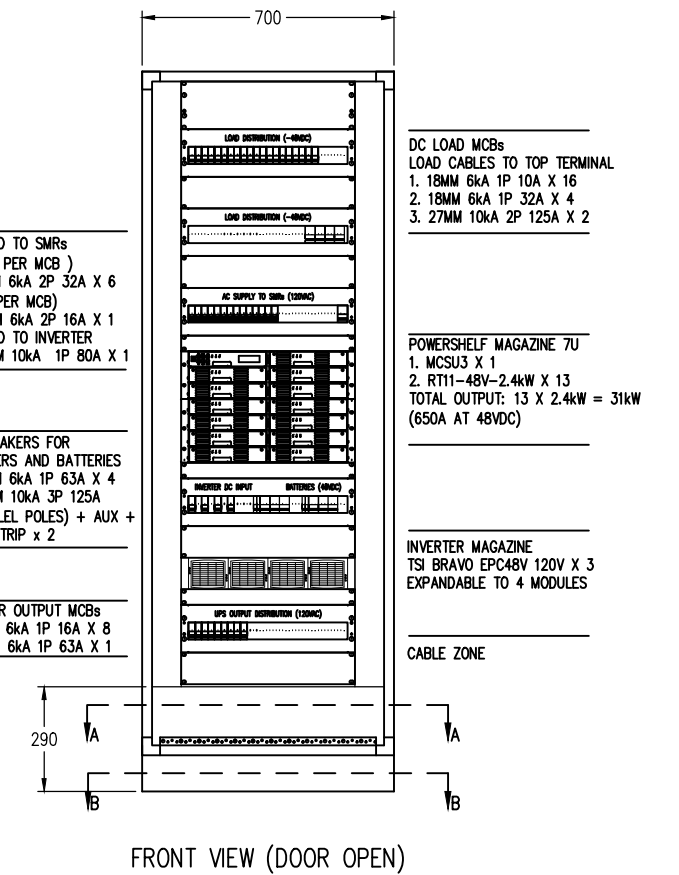
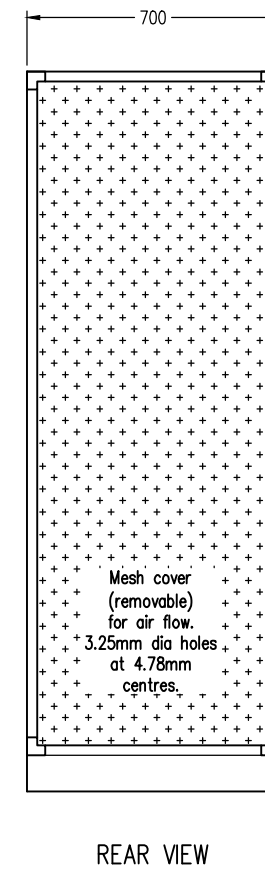
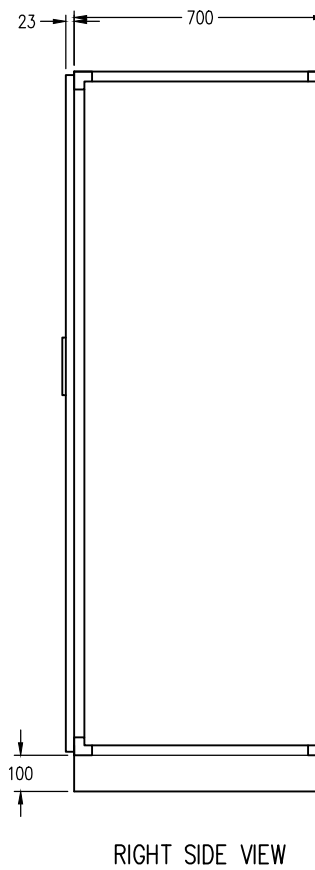
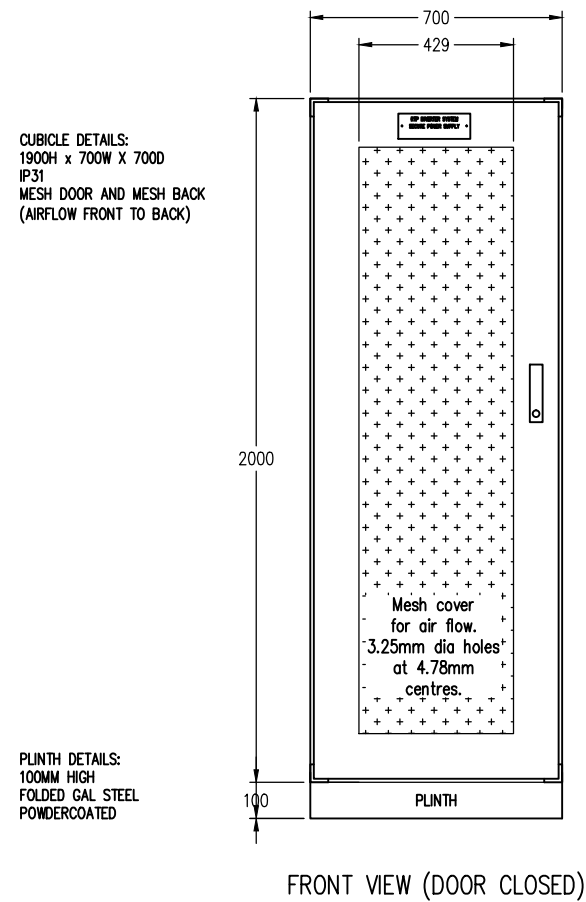
STATUS/REVISION HISTORY				
ISSUE	DETAILS	DRAWN	CHKD	DATE
01	1. Based on 940-2225.01	Robindra		09Feb12
01	1. Based on marked up drawing from Production	Robindra		13Apr12

NOTE:		Name	Signature	Date	Status: AS MANUFACTURED	Client:	Project Title: RT11 48V Charger + Bravo Inverter System		
	Designed by:				<small>PROPRIETARY INFORMATION. Not to be disclosed, copied, or used without prior written permission from Rectifier Technologies. Copyright 2010 Rectifier Technologies. All rights reserved. Subject to change without notice.</small>	Client Ref:	Dwg Title: INDEX SHEET / NOTES		
	Design chk:						 Rectifier Technologies Pacific Pty. Ltd. 18 Joseph Street, Blackburn North, Vic, Australia, 3130 Phone: +61 3 9896 7588 Fax: +61 3 9896 7566	DWG NO: 940-2224	
	CAD by:							SHEET	ISSUE
	CAD chk:					A1	01		



SECTION VIEW A-A
Bottom of cubicle, as viewed from above, showing cable gland plates.
Gland plates are removable from within cubicle.

SECTION VIEW B-B
Bottom of Plinth, as viewed from above.
NOTE TO INSTALLER: Locations of fixing holes on drawing are indicative only, confirm with actual cubicle.

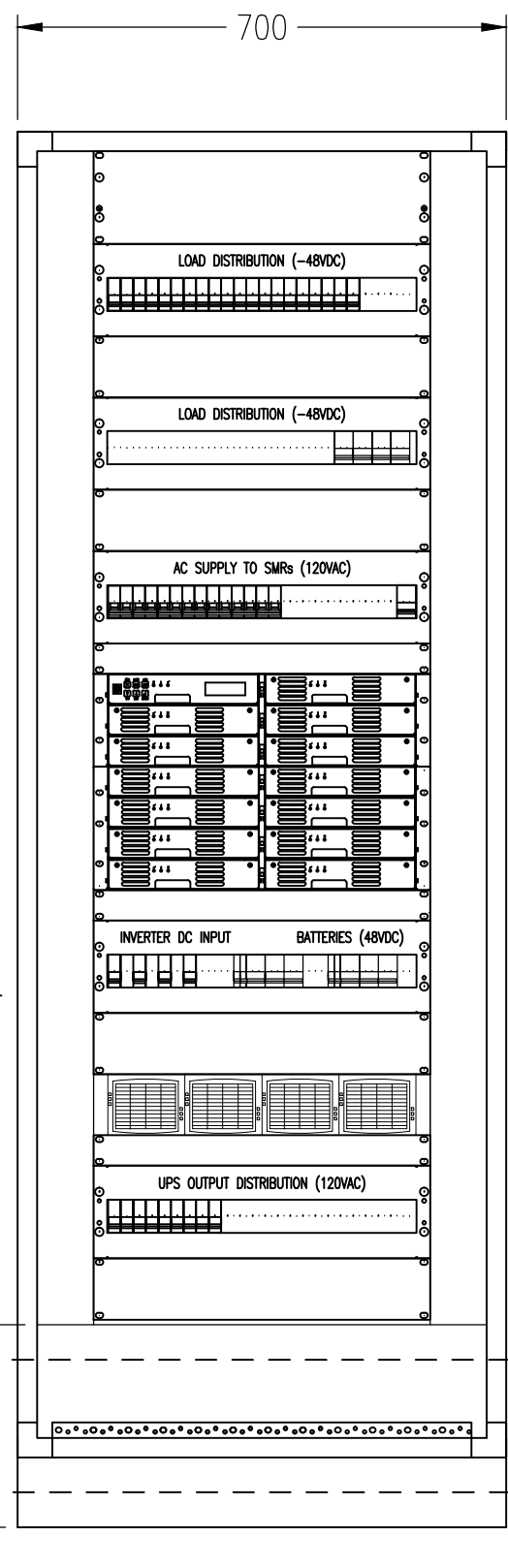


CABLE ENTRY LOCATIONS	
CABLE:	LOCATION:
AC SUPPLY	BOTTOM
BATTERY	BOTTOM
DC LOADS	TOP
AC LOADS	BOTTOM
ALARMS	BOTTOM
COMMS	BOTTOM

NOTES:
1. SCALE 1:20 (APPROX ONLY). DO NOT SCALE FROM HARDCOPY.

Name	Signature	Date	Status: AS MANUFACTURED
Designed by:			PROPRIETARY INFORMATION. Not to be disclosed, copied, or used without prior written permission from Rectifier Technologies. Copyright 2010 Rectifier Technologies. All rights reserved. Subject to change without notice. Rectifier Technologies Pacific Pty. Ltd. 18 Joseph Street, Blackburn North, Vic, Australia, 3130 Phone: +61 3 9896 7588 Fax: +61 3 9896 7566
Design chk:			
CAD by:			
CAD chk:			

Client:	Project Title: RT11 48V Charger + Bravo Inverter System
Client Ref:	Dwg Title: GENERAL ARRANGEMENT (TYPICAL)
	DWG NO: 940-2224
	SHEET L01
	ISSUE 01



AC FEED TO SMRs
(2SMRs PER MCB)
1. 18MM 6kA 2P 32A X 6
(1SMR PER MCB)
2. 18MM 6kA 2P 16A X 1
AC FEED TO INVERTER
2. 27MM 10kA 1P 80A X 1

DC BREAKERS FOR
INVERTERS AND BATTERIES
1. 18MM 6kA 1P 63A X 4
2. 81MM 10kA 3P 125A
(PARALLEL POLES) + AUX +
SHUNT TRIP x 2

INVERTER OUTPUT MCBs
1. 18MM 6kA 1P 16A X 8
2. 18MM 6kA 1P 63A X 1

DC LOAD MCBs
LOAD CABLES TO TOP TERMINAL
1. 18MM 6kA 1P 10A X 16
2. 18MM 6kA 1P 32A X 4
3. 27MM 10kA 2P 125A X 2

POWERSHELF MAGAZINE 7U
1. MCSU3 X 1
2. RT11-48V-2.4kW X 13
TOTAL OUTPUT: 13 X 2.4kW = 31kW
(650A AT 48VDC)

INVERTER MAGAZINE
TSI BRAVO EPC48V 120V X 3
EXPANDABLE TO 4 MODULES

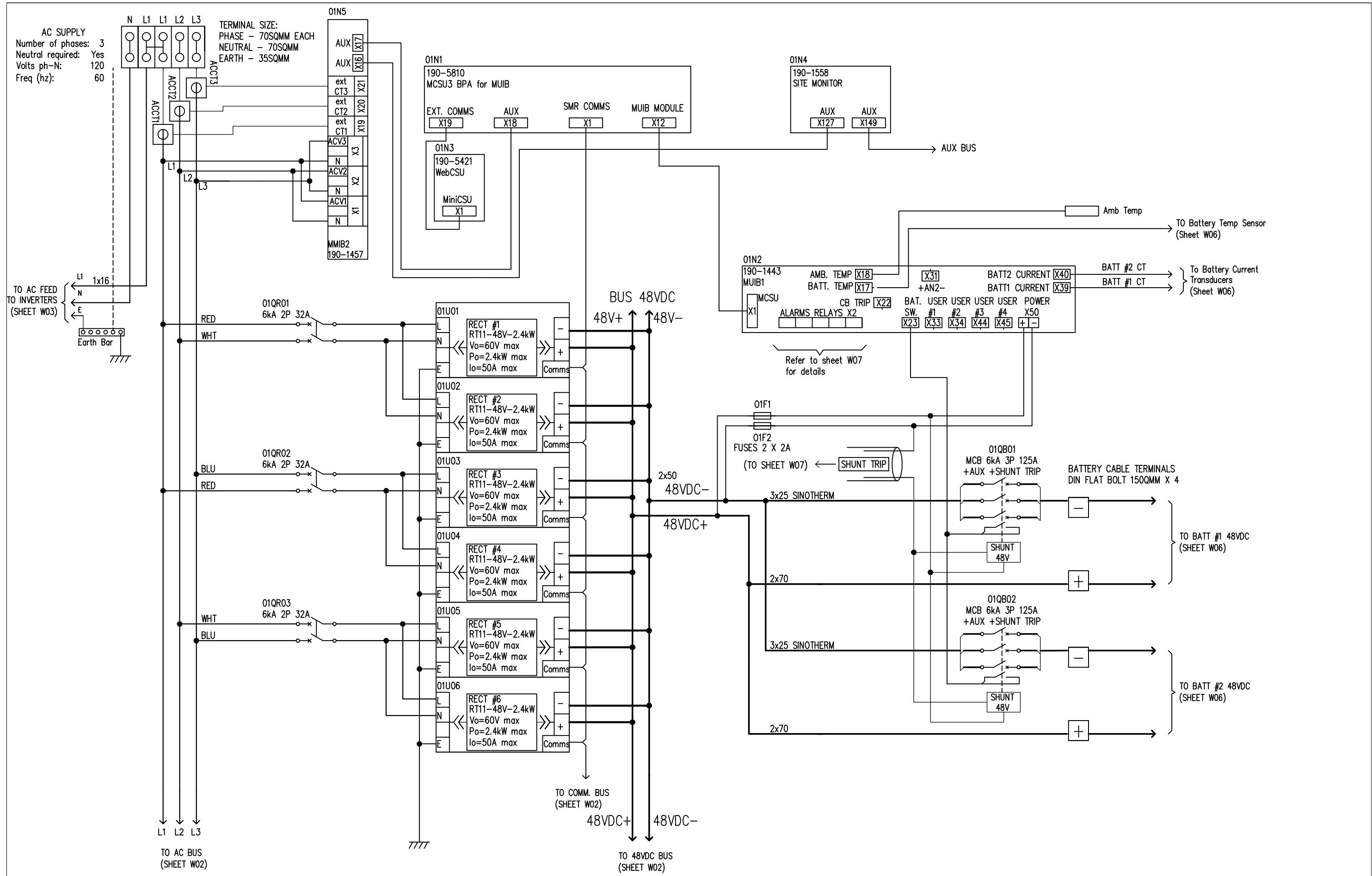
CABLE ZONE

FRONT VIEW (DOOR OPEN)

NOTE:
1. SCALE: 1:10 (APPROX). DO NOT SCALE FROM HARDCOPY.

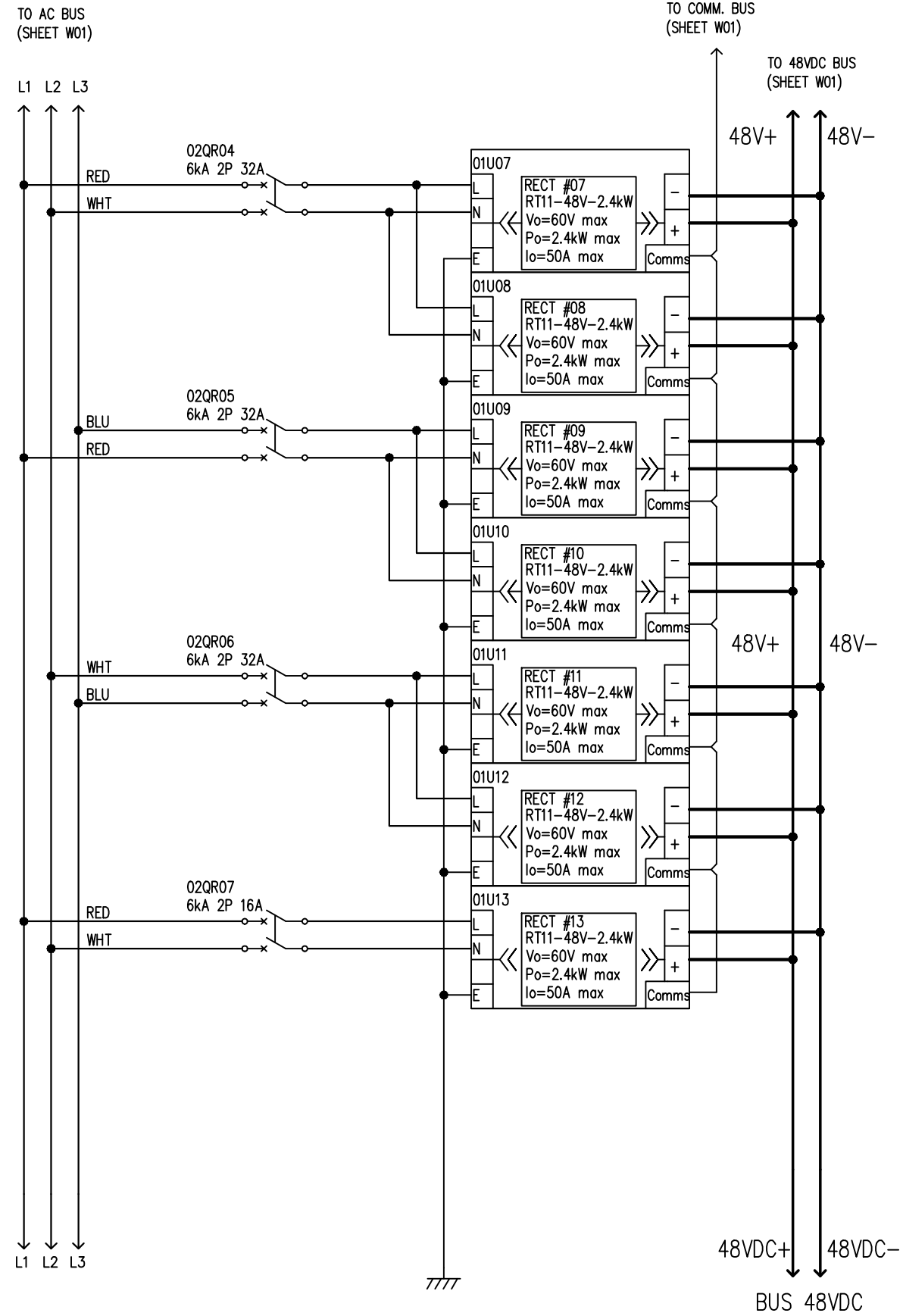
Name	Signature	Date	Status: AS MANUFACTURED
Designed by:			PROPRIETARY INFORMATION. Not to be disclosed, copied, or used without prior written permission from Rectifier Technologies. Copyright 2010 Rectifier Technologies. All rights reserved. Subject to change without notice. Rectifier Technologies Pacific Pty. Ltd. 18 Joseph Street, Blackburn North, Vic, Australia, 3130 Phone: +61 3 9896 7588 Fax: +61 3 9896 7566
Design chk:			
CAD by:			
CAD chk:			

Project Title: RT11 48V Charger + Bravo Inverter System					
Sheet Title: FRONT VIEW OF CABINET (DOOR OPENED) ENLARGED					
DWG NO: 940-2224	<table border="1"> <tr> <td>SHEET</td> <td>ISSUE</td> </tr> <tr> <td>L02</td> <td>01</td> </tr> </table>	SHEET	ISSUE	L02	01
SHEET	ISSUE				
L02	01				



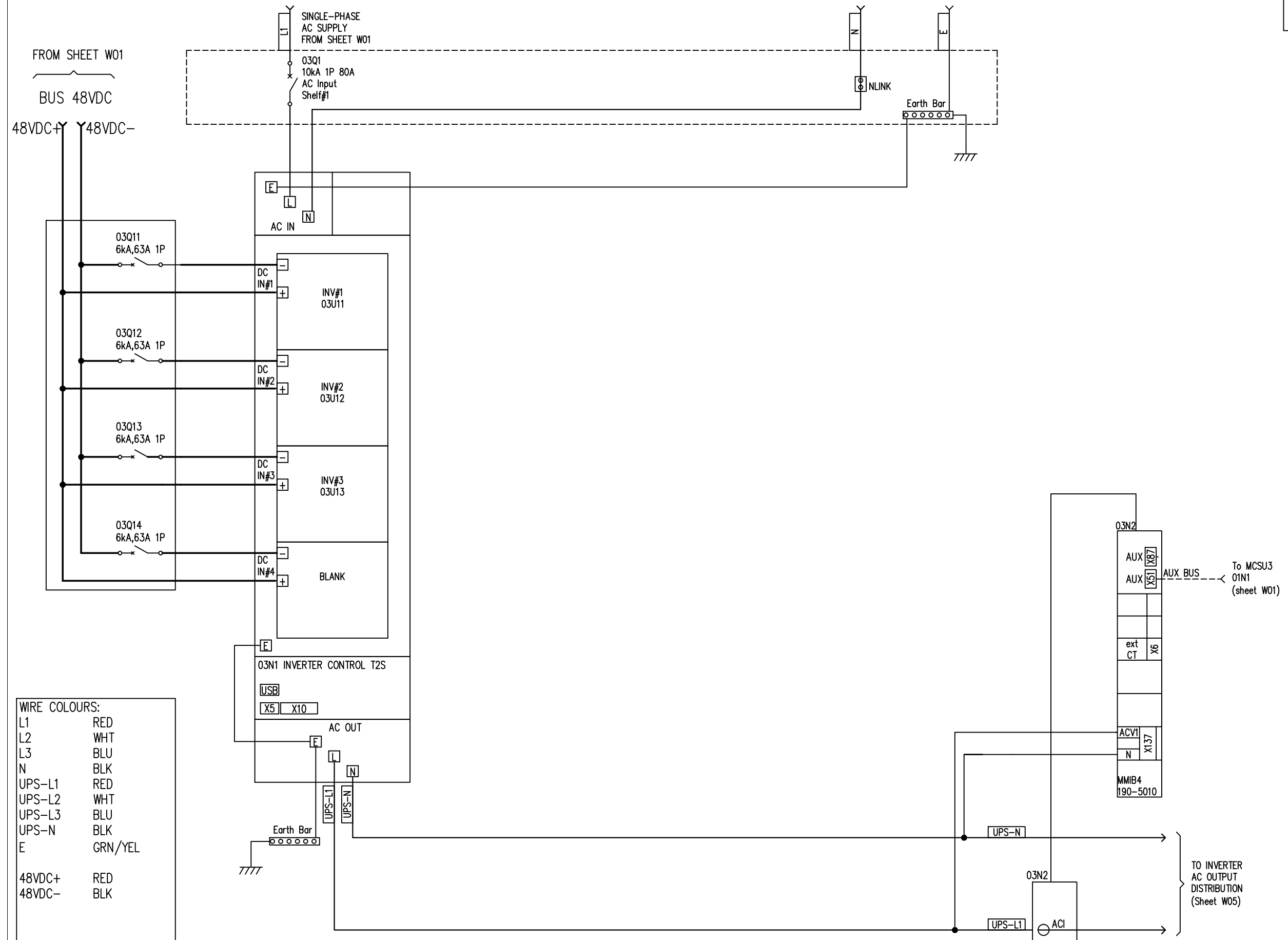
NOTE:	Name	Signature	Date	Status: AS MANUFACTURED	Client:	Project Title: RT11 48V Charger + Bravo Inverter System	
	Designed by:			PROPRIETARY INFORMATION. Not to be disclosed, copied, or used without prior written permission from Rectifier Technologies. Copyright 2010 Rectifier Technologies. All rights reserved. Subject to change without notice. Rectifier Technologies Pacific Pty. Ltd. 18 Joseph Street, Blackburn North, Vic, Australia, 3130 Phone: +61 3 9896 7588 Fax: +61 3 9896 7566	Client Ref:	Dwg Title: WIRING DIAGRAM - DC CHARGERS AND AC MAINS Part1	
	Design chk:				DWG NO: 940-2224	SHEET W01	ISSUE 01
	CAD by:						
CAD chk:							

AC SUPPLY
 Number of phases: 3
 Neutral required: Yes
 Volts ph-N: 120
 Freq (hz): 60



NOTE:	Name	Signature	Date	Status: AS MANUFACTURED	Client:	Project Title: RT11 48V Charger + Bravo Inverter System		
	Designed by:			PROPRIETARY INFORMATION. Not to be disclosed, copied, or used without prior written permission from Rectifier Technologies. Copyright 2010 Rectifier Technologies. All rights reserved. Subject to change without notice. Rectifier Technologies Pacific Pty. Ltd. 18 Joseph Street, Blackburn North, Vic, Australia, 3130 Phone: +61 3 9896 7588 Fax: +61 3 9896 7566	Client Ref:	Dwg Title: WIRING DIAGRAM - DC CHARGERS AND AC MAINS PART2		
	Design chk:					DWG NO: 940-2224	SHEET W02	ISSUE 01
	CAD by:							
	CAD chk:							

ALL CABLES ARE MARKED AS Qty x Size (sqmm)
eg: 2x35 = 2 cables each 35sqmm



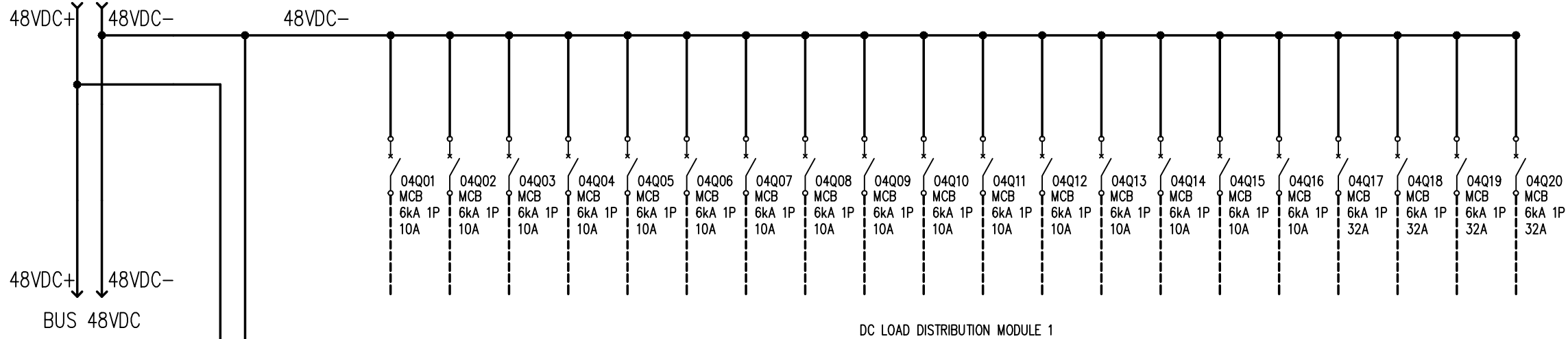
WIRE COLOURS:

L1	RED
L2	WHT
L3	BLU
N	BLK
UPS-L1	RED
UPS-L2	WHT
UPS-L3	BLU
UPS-N	BLK
E	GRN/YEL
48VDC+	RED
48VDC-	BLK

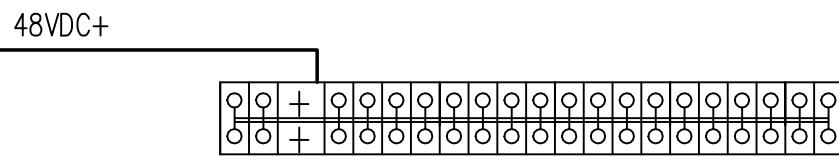
NOTE:	Name	Signature	Date	Status: AS MANUFACTURED	Client:	Project Title: RT11 48V Charger + Bravo Inverter System			
	Designed by:			PROPRIETARY INFORMATION. Not to be disclosed, copied, or used without prior written permission from Rectifier Technologies. Copyright 2010 Rectifier Technologies. All rights reserved. Subject to change without notice.	Client Ref:	Dwg Title: WIRING DIAGRAM - INVERTERS			
	Design chk:					Rectifier Technologies Pacific Pty. Ltd. 18 Joseph Street, Blackburn North, Vic, Australia, 3130 Phone: +61 3 9896 7588 Fax: +61 3 9896 7566	DWG NO: 940-2224	SHEET W03	ISSUE 01
	CAD by:								
CAD chk:									

FROM SHEET W01

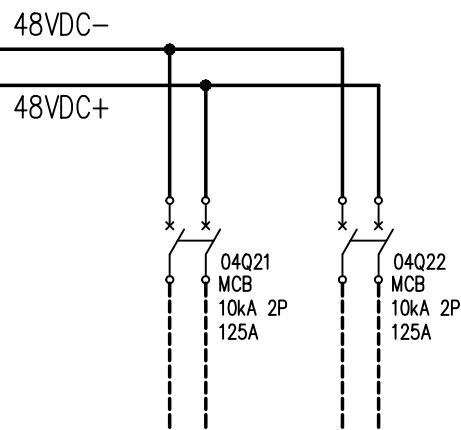
BUS 48VDC



DC LOAD DISTRIBUTION MODULE 1




Load Return Terminals (+)

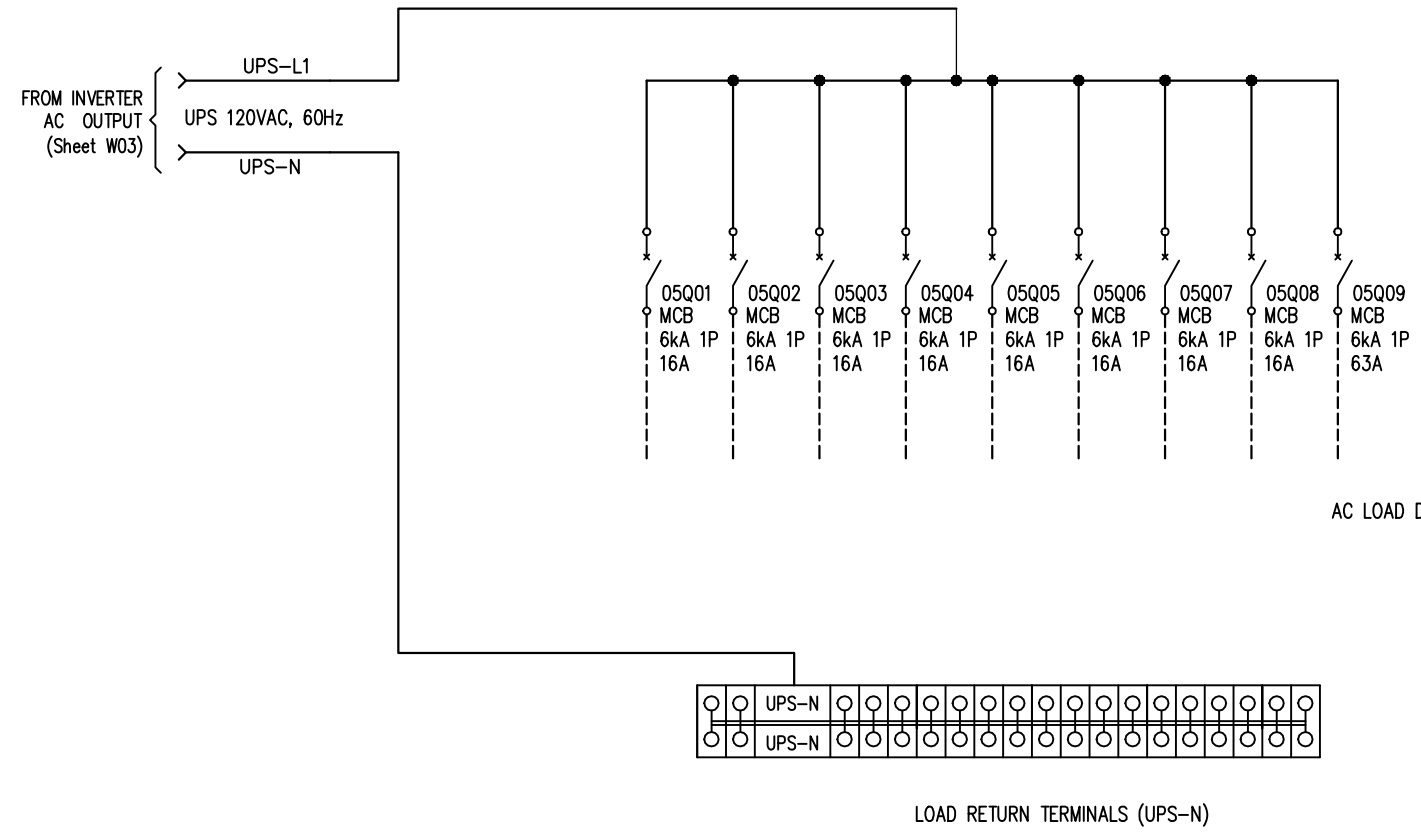


DC LOAD DISTRIBUTION MODULE 2

NOTES: Details of load MCBs

- 1. MCB C60N 6kA 1P 10A x 16
- 2. MCB C60N 6kA 1P 32A X 4
- 2. MCB C120N 6kA 2P 125A x 2

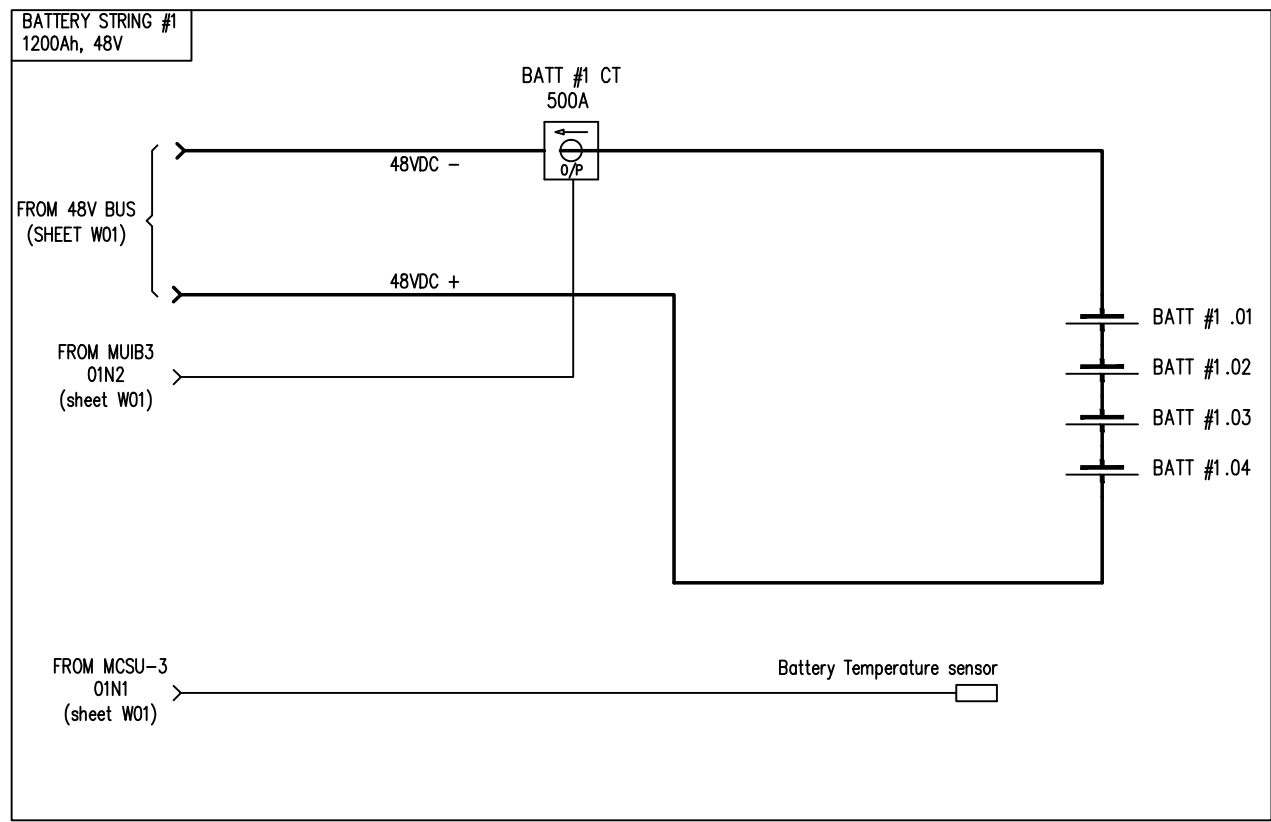
NOTE:	Name	Signature	Date	Status: AS MANUFACTURED	Client:	Project Title: RT11 48V Charger + Bravo Inverter System
	Designed by:			<small>PROPRIETARY INFORMATION. Not to be disclosed, copied, or used without prior written permission from Rectifier Technologies. Copyright 2010 Rectifier Technologies. All rights reserved. Subject to change without notice.</small>	Client Ref:	Dwg Title: WIRING DIAGRAM – LOAD DISTIRBUTION 48VDC
	Design chk:					 Rectifier Technologies Pacific Pty. Ltd. 18 Joseph Street, Blackburn North, Vic, Australia, 3130 Phone: +61 3 9896 7588 Fax: +61 3 9896 7566
	CAD by:					
CAD chk:						



NOTES: Details of load MCBs

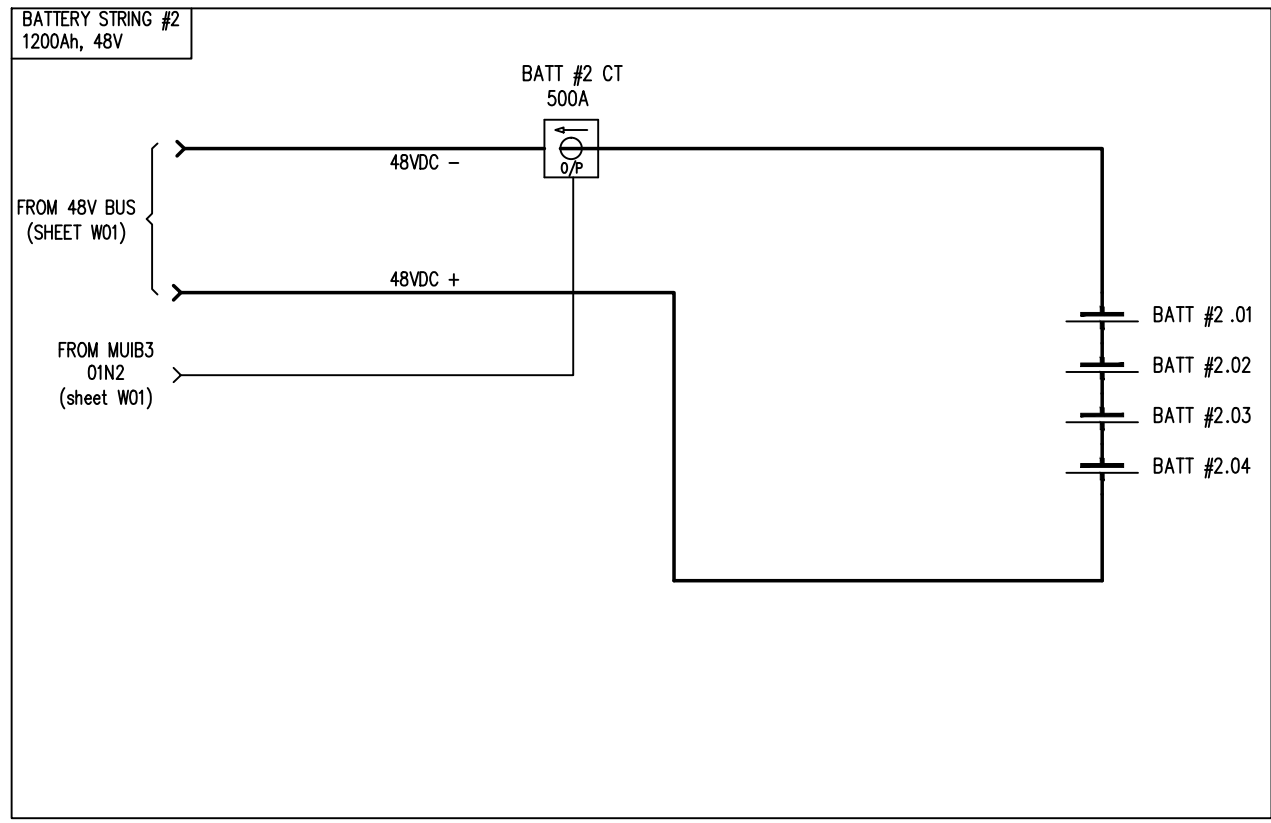
1. MCB C60N 6kA 1P 16A x 8
2. MCB C60N 6kA 1P 63A X 1

NOTE:		Name	Signature	Date	Status: AS MANUFACTURED	Client:	Project Title: RT11 48V Charger + Bravo Inverter System		
	Designed by:				<small>PROPRIETARY INFORMATION. Not to be disclosed, copied, or used without prior written permission from Rectifier Technologies. Copyright 2010 Rectifier Technologies. All rights reserved. Subject to change without notice.</small> Rectifier Technologies Pacific Pty. Ltd. 18 Joseph Street, Blackburn North, Vic, Australia, 3130 Phone: +61 3 9896 7588 Fax: +61 3 9896 7566	Client Ref:	Dwg Title: INVERTER - AC OUTPUT DISTRIBUTION		
	Design chk:						DWG NO: 940-2224	SHEET W05	ISSUE 01
	CAD by:								
CAD chk:									



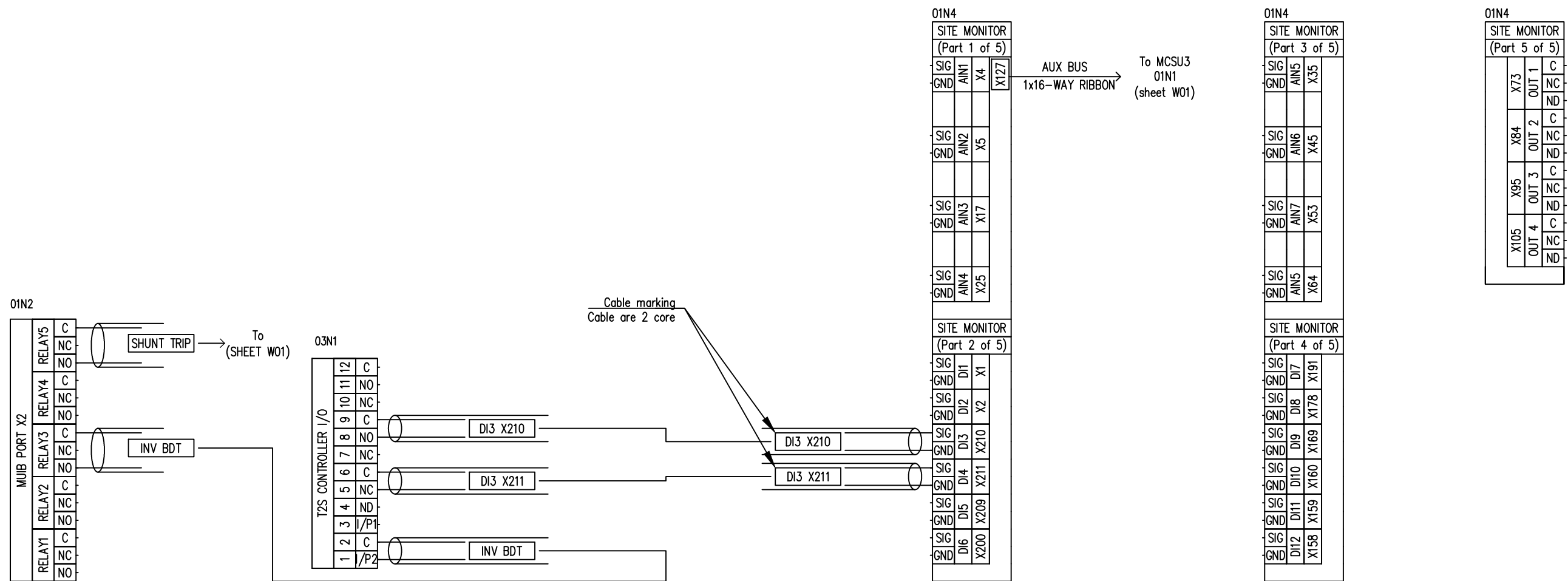
NOTE 1:
BATTERIES, BATTERY RACKS, AND ALL CABLES TO BATTERIES ARE SUPPLIED BY OTHERS (NOT RTP SUPPLY).

ITEMS ON THIS SHEET INCLUDED IN RTP SCOPE OF SUPPLY ARE LIMITED TO:
1. CURRENT TRANSDUCER.
2. TEMPERATURE SENSOR.



NOTE:		Name	Signature	Date	Status: AS MANUFACTURED	Client:	Project Title: RT11 48V Charger + Bravo Inverter System		
	Designed by:				<small>PROPRIETARY INFORMATION. Not to be disclosed, copied, or used without prior written permission from Rectifier Technologies. Copyright 2010 Rectifier Technologies. All rights reserved. Subject to change without notice.</small> Rectifier Technologies Pacific Pty. Ltd. 18 Joseph Street, Blackburn North, Vic, Australia, 3130 Phone: +61 3 9896 7588 Fax: +61 3 9896 7566	Client Ref:	Dwg Title: WIRING DIAGRAM – BATTERY STRINGS		
	Design chk:						DWG NO: 940-2224	SHEET W06	ISSUE 01
	CAD by:								
	CAD chk:								

MUJB1 PORT X2 ALARM ALLOCATION TABLE			
ALARM RELAYS	ALARM DESCRIPTION	TERMINAL NUMBER	ALLOCATED ALARMS
ALARM RELAY#1	USER DEFINED	-	-
ALARM RELAY#2	USER DEFINED	-	-
ALARM RELAY#3	USER DEFINED	-	-
ALARM RELAY#4	USER DEFINED	-	-
ALARM RELAY#5	USER DEFINED	-	-



NOTE:	Name	Signature	Date	Status: AS MANUFACTURED	Client:	Project Title: RT11 48V Charger + Bravo Inverter System		
	Designed by:			PROPRIETARY INFORMATION. Not to be disclosed, copied, or used without prior written permission from Rectifier Technologies. Copyright 2010 Rectifier Technologies. All rights reserved. Subject to change without notice. Rectifier Technologies Pacific Pty. Ltd. 18 Joseph Street, Blackburn North, Vic, Australia, 3130 Phone: +61 3 9896 7588 Fax: +61 3 9896 7566	Client Ref:	Dwg Title: Site Monitor Connection Diagram		
	Design chk:					DWG NO: 940-2224	SHEET W07	ISSUE 01
	CAD by:							
	CAD chk:							